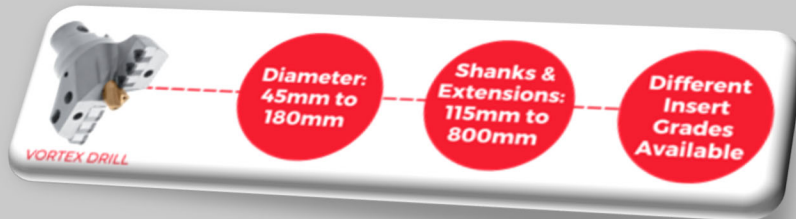


INDUSTRY NEWS

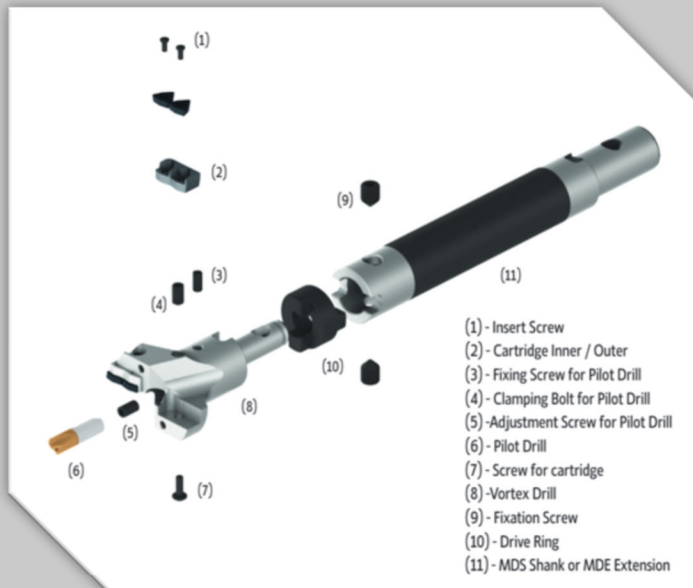


PalbitUSA Vortex Drill is the Most Reliable Deep-Hole Drilling System!

The PalbitUSA Vortex Drill is the most sturdy and robust in the market. The Vortex is designed to drill deep and large-diameter holes. The drill heads should fit the shank and extensions of similar systems from other brands when adapted with the Vortex collar.



- Diameter size ranges from 45mm to 180mm
- Each head has a 5mm diameter adjustment in the included cartridges
- Cartridges allow for the replacement of cartridge only if the tool gets damaged in the cut
- Shanks and extension assemblies are available from 115mm long to a max of 800mm long
- Different Grades of inserts are available for use in Steel, Stainless Steel, Cast Iron, and some Hi-Temp alloys



Visit www.pilotprecision.com for more information.

Please contact Turpin Sales & Marketing with any questions or for more information.

Jeff Henry
Vice President & Market Manager
ME, NH, MA, VT, RI, CT
jhenry@turpinsales.com
Cell: 802-254-1407

Mike Pazos
Market Manager
Western MA, CT, NYC, LI, NJ
mpazos@turpinsales.com
Cell: 413-426-8365