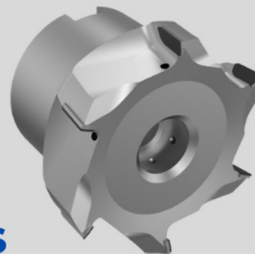


INDUSTRY NEWS



FACEMILL - DIAMOND - ES

THE VERSATILE PCD FACE MILLING CUTTER FOR SMALL QUANTITIES!

The new FaceMill-Diamond-ES is a versatile entry-level addition to the PCD face milling cutters in MAPAL's FaceMill-Diamond family. The milling cutters have fewer blades than the established FaceMill-Diamond tools, making them a more cost-effective and economical solution. With a diameter of 50 mm, for instance, the FaceMill-Diamond-ES has five blades, while the classic FaceMill-Diamond has twelve.

Another difference is the area of application: The FaceMill-Diamond-ES is suitable for shoulder milling, trimming and machining thinwalled parts, as well as face milling. The milling cutters in the FaceMill-Diamond-ES series can be reground and re-equipped. They are exclusively available as milling cutters for arbor mounting.

Features

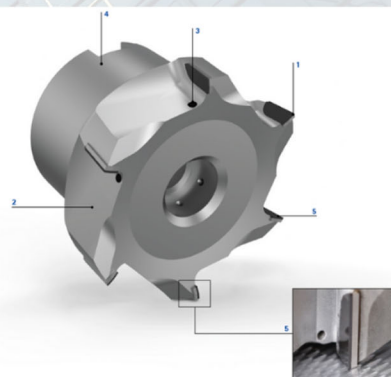
- Standard milling cutter arbor
- Cooling directly at the cutting edge
- Generous chip space
- Universal lead 0.1x45°
- Brazed PCD cutting edges

Advantages

- Highest flexibility due to modularity
- Avoids overheating and abrasion on the tool body
- Safe removal of chips even under peak loads
- Cutting edges made of PCD for long tool lives
- High cutting depth of up to 10 mm
- Suitable for many different machining operations with very good surface finishes

	FaceMill-Diamond	FaceMill-Diamond-ES
Application area		
Allrounder for high component variance	●●●●●●●●●●	●●●●●●●●●●
Daily production volume	●●●●●●●●●●	●●●●●●●●●●
Contact time on the component		
Contact time:	Long, straight travels	Many, short travels

- 1 Universal lead 0.1 x 45°
- Suitable for many different machining operations with very good surface finishes
- 2 Generous chip space
- Safe removal of chips even under peak loads
- 3 Cooling directly at the cutting edge
- Avoids overheating and abrasion on the tool body
- 4 Standard milling cutter arbor
- Highest flexibility due to modularity
- 5 Brazed PCD cutting edges
- Cutting edges made of PCD for long tool lives
- High cutting depths of up to 10 mm



Please contact Turpin Sales & Marketing with any questions or for more information.

Visit www.mapal.com for more information.

Jeff Henry
Vice President & Market Manager
ME, NH, MA, VT, RI, CT
jhenry@turpinsales.com
Cell: 802-254-1407

Mike Pazos
Market Manager
Western MA, CT, NYC, LI, NJ
mpazos@turpinsales.com
Cell: 413-426-8365

Trevor McDonald
Market Manager
NY, Eastern PA, DE, MD
tmcdonald@turpinsales.com
Cell: 585-230-8226